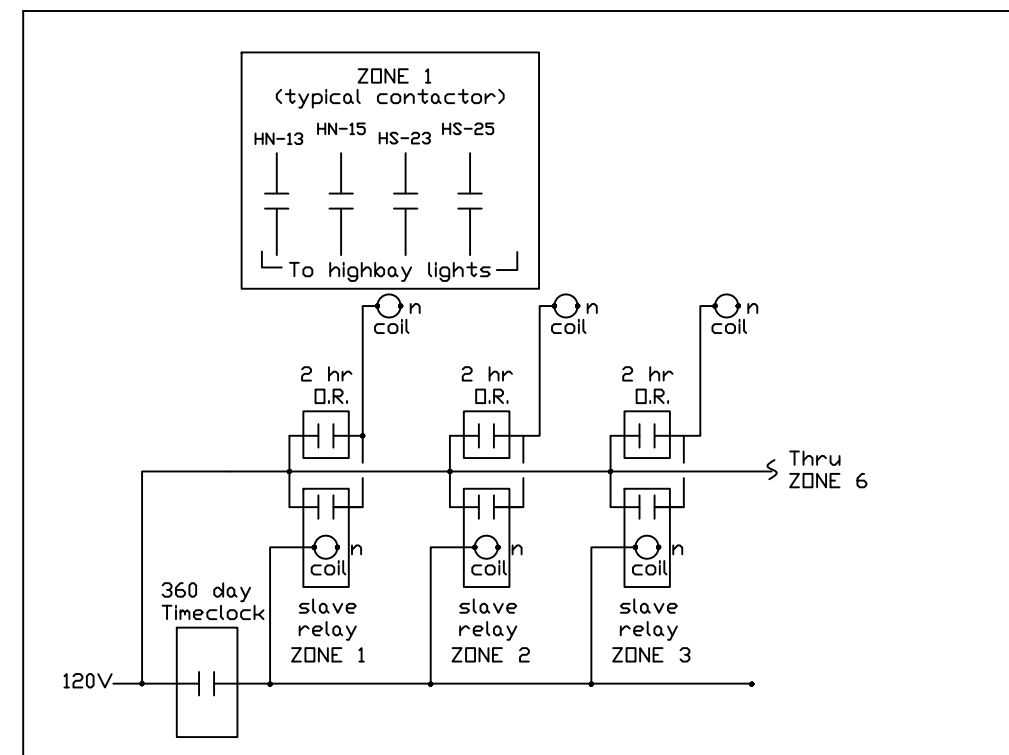


LIGHTING ZONE SCHEDULE

ZONE 1	HN-13,15 HS-23,25
ZONE 2	HN-1,3,5,7
ZONE 3	HN-9,11 HS-1,3
ZONE 4	HS-5,7,9,11
ZONE 5	HS-13,15,17,19
ZONE 6	HN-2,4,6 HS-21

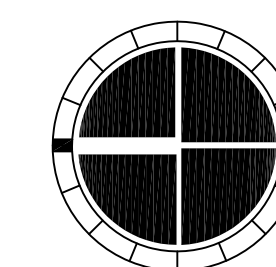
WAREHOUSE LIGHTING CONTROL DIAGRAM



Fixture Schedule

- ⊙ 250V Metal-halide highbay with open-rated lamp and pulse start ballast. Stingray #EXCE 250 PSM V2
- ⊙ Existing LED Exit/Emergency fixture w/battery backup. Refer to shell drawings.
- ⊙ Existing exterior egress lighting. Refer to shell drawings.

Zoning is for IECC compliance. All of the highbays will be operated by the timeclock. There are 6 override switches that will bring on a section of lights in the warehouse. Each of the zones is less than 20,000 s.f. per IECC requirements.



SEAL
12/9/2008

MULTI-TENANT INVENTORY AND DISTRIBUTION CENTER FOR

ARLINGTON COMMERCE CENTER
VISTAR

4905 NEW YORK AVE.
ARLINGTON, TEXAS
76018

General Contractor:
KBD CONSTRUCTION SERVICES
1431 Greenway, Suite 740
Irving, Texas 75038

Architect:
MACGREGOR ASSOCIATES
ARCHITECTS
2830 Paces Ferry Rd. NW, Suite 500
Atlanta, Georgia 30339

MULTI-TENANT INVENTORY AND DISTRIBUTION CENTER FOR

SHEET TITLE
WAREHOUSE LIGHTING

SHEET NUMBER

E1